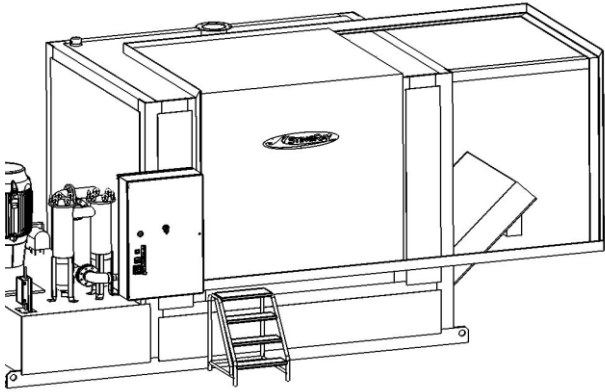


STINGRAY SR84170 ORBITAL WASHER SPECIFICATIONS



Standard Features & General Construction:

- Oscillating Manifold:** Non-Synchronous to the Orbit - Maximizes Cleaning.
- Sliding Door Design:** Allows for Maximum Platform Access.
- Closed-Loop, Zero Discharge Cleaning Process:** Environmentally Friendly.
- Heated Fresh Water Rinse:** Removes Residual Detergent (Optional).
- Automatic Steam Exhaust:** Facilitates Flash Drying of Parts.
- Non-Intersecting Stainless Steel V-Jet Nozzles:** Blasts Parts Clean.
- Heavy 1/4" Plate Steel Cabinet.**
- Electronic Water Level Control:** Maintains Proper Solution Level.
- Programmable 24-Hour 7-Day Clock:** Delivers Simple Operation.
- Wash Cycle Timer with Auto Reset:** Effortless Cleaning Cycle Programming.
- Easy Access Solution Tank:** Delivers Trouble-Free Maintenance.
- Electronic Door Safety Interlock:** Prevents Operation if Switch Fails.
- StingRay Blue, 2-Part, 3 mil Epoxy Coating:** Withstands Cleaning Chemicals.
- Adjustable Electronic Temp Control, Temp Gauge, Digital 2-Line Display Control Transformer External of Panel:** Minimizes Heat.
- Low Water Shut-Off:** Protects Pumps & Heating System.
- Quality Conforms to ISO9001 and OSHA-Compliant**

Power Blast Manifold:

OSCILLATING NON- SYNCHRONOUS

Angle of Oscillation:	40 degrees
Frequency of Oscillation:	4 per minute
Number of Wash Nozzles:	72
Type of Nozzle:	Vee-Jet
Angle of Orbit	315 deg
Orbital Speed	1.2 rpm
Nozzle Material:	316 Stainless
Nozzle Spray Pattern:	15 degrees

Heat System:

Operating Temperature:	88 degrees C
Initial Heat-Up Time Gas:	120 Minutes
Electric Heat Element Size:	15 kW
Electric Heat:	190 kW
Gas/Propane Eclipse 80% Eff:	230 kW

Base Machine Work Area Dimensions:

Door Clear Opening:	4318 mm
Part Platform Width:	1220 mm
Max. Part Height:	1575 mm
Platform Height above Floor:	1473 mm
Part Platform Capacity:	4,536 kg
Heavy Duty Capacity:	13,608 kg

Base Machine Overall Dimensions:

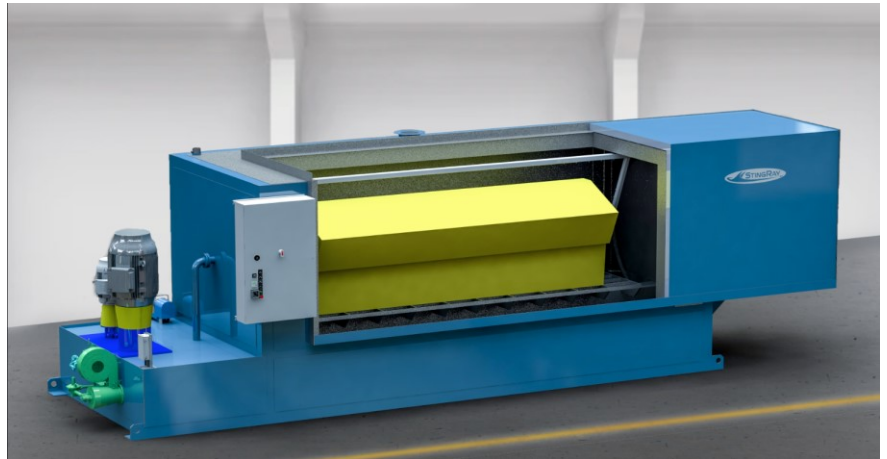
Width: (Std Unit)	11532 mm
Depth: (Std Unit)	3810 mm
Height:	3760 mm
Empty Weight:	17,917 kg
Reservoir Capacity:	6,170 L

Results and Dimensions may vary based on machine configuration.

© 2024 StingRay Mfg LLC, all rights reserved.
This document contains intellectual property protected by law.
StingRay Parts Washer® is a trademark of StingRay.

Pump System & Performance:

- 72 Nozzles
- 97 kW High Flow Duplex Pump System
- 4,346 lpm at 60.3 per nozzle
- 10.5 bar at 48 m/s
- High Efficiency, Rated for continuous duty (20 Start/hour without overheating), vertical, centrifugal, seal-less, balanced, enclosed impeller.



STINGRAY MANUFACTURING
2450 Adie Road • St. Louis, MO 63043 USA
Phone: (314)447-9000 • Fax: (314)447-0909
Email: sales@stingwash.com • www.stingwash.com



Note: All performance data taken at nozzle discharge.